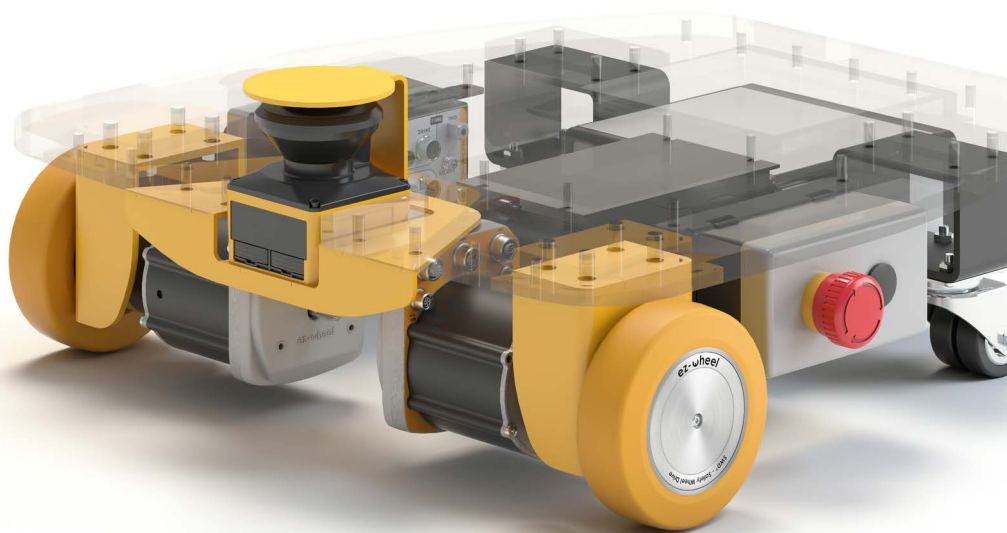


Start IMMEDIATELY

the development of
your **MOBILE ROBOT!**



SWD[®] Starter Kit

The Starter Kit is designed to facilitate and accelerate the development of AGVs and AMRs using ez-Wheel's exclusive SWD[®] Safety Wheel Drive technology.

Pre-assembled with a safety scanner, an on-board computer and a 24V rechargeable battery, the Starter Kit platform is ready to use: start developing your mobile robot right away!

The on-board computer comes with a Linux OS, as well as the open-source ROS middleware and the drivers needed to control the platform in differential mode.

The Starter Kit offers all the exclusive safety features of the SWD[®] Safety Wheel Drive range such as SIL2 / PLD certified motion control, ensuring development in accordance with the ISO 3691-4 driverless truck standard.



Motorisation	SWD [®] Core
Sensor	Scanner LiDAR SIL2 / PLd
Speed range	0 to 3 km/h
Battery	24 V – 9 Ah
OS	Linux / ROS



SWD[®] Core
Safety gear motor with 125 mm castors



SWD[®] Safety Hub
Central interconnection box for intuitive connection



SIL2 / PLd safety scanner
Compatible with all safety laser scanners on the market

All values are subject to changes without prior notice.
Values for reference, based on standard condition testing, may vary with different application cases.

ez-wheel.com



Le Moulin de l'Abbaye, 135 Route de Bordeaux, 16400 La Couronne - FRANCE
info@ez-wheel.com +33 531 615 580



ROBOTIZATION KIT

Implementation on any type of mobile application



- AGVs, AMRs
- AGCs
- Mobile robots

BENEFITS

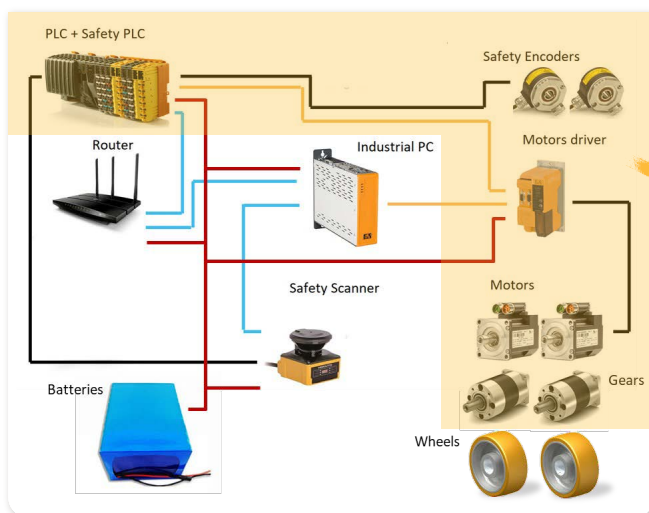


- ✓ Adaptable generic components
- ✓ Reduction in the number of components **VS** a classic AMR
- ✓ SIL2 / PLd certified in accordance with the ISO 3691-4 standard

SWD® Core replaces all those components

VS

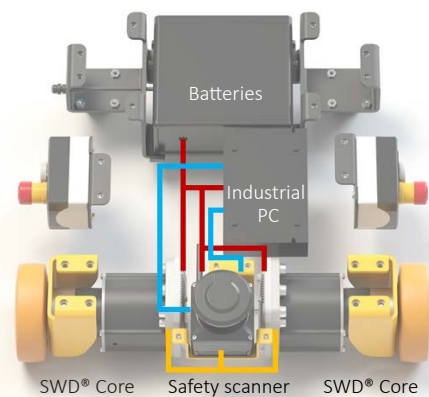
Solution with SWD® technology



Classic components used for the development of an AMR



SWD® Core
Gear motor with safety



SWD® robotization kit